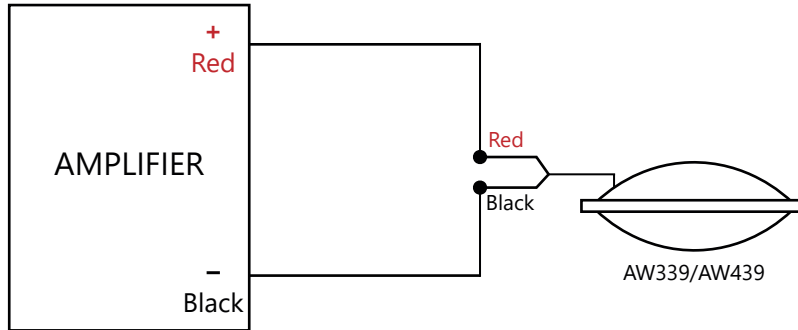


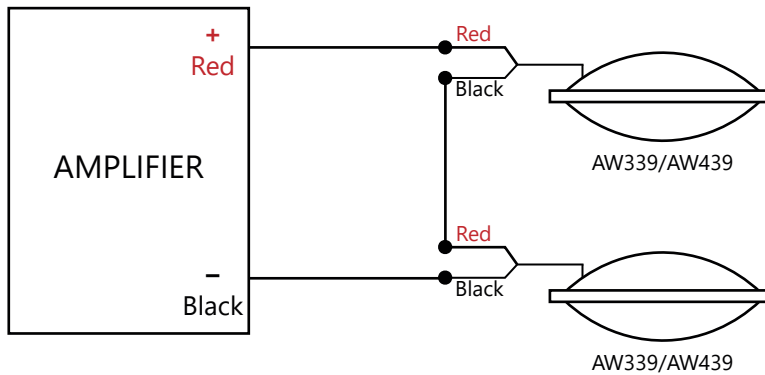
WIRING THE AW339 & AW439

1 AW339/AW439



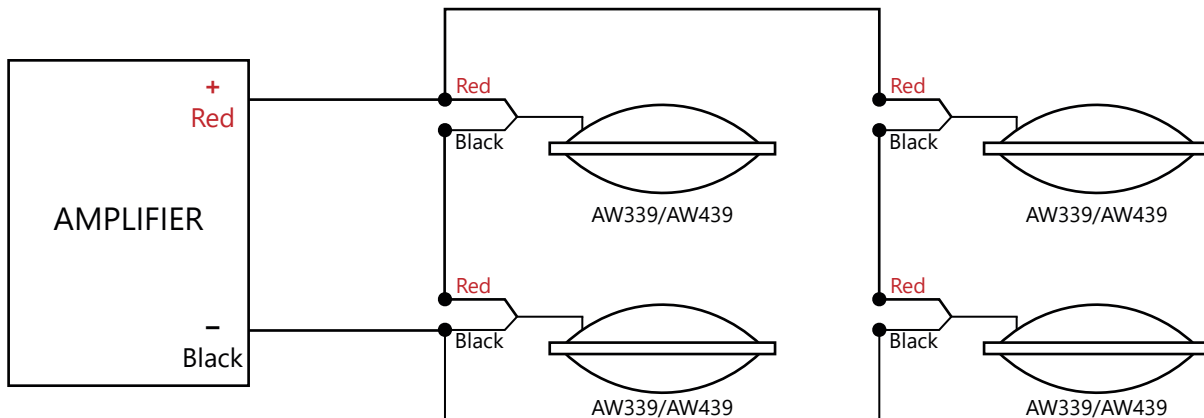
Clark Synthesis recommends an amplifier rated 125-150 Watts per channel at 4 ohms

2 AW339/AW439



Clark Synthesis recommends an amplifier rated 125-150 Watts at 8 ohms

4 AW339/AW439



Clark Synthesis recommends an amplifier rated 500-600 Watts per channel at 4 ohms

Note: Older products may have different color wires.
Please contact Clark Synthesis for more information
at 303-797-7500 or info@clarksynthesis.com

Scan to watch
the video

