

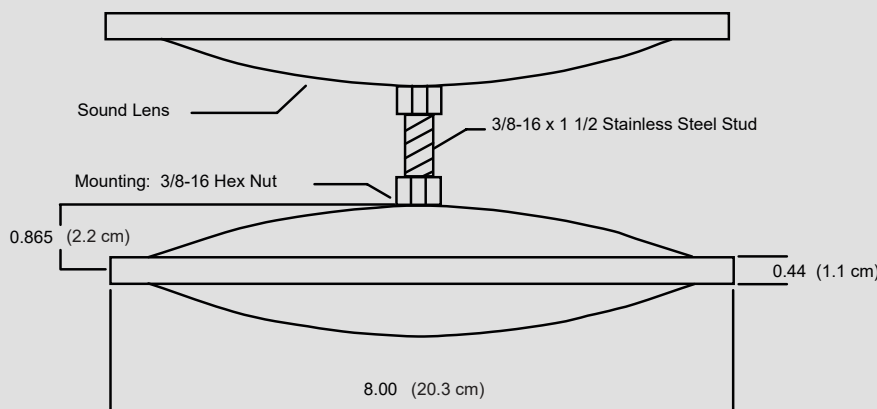


AQ339 DILUVIO™ UNDERWATER LOUDSPEAKER

The Diluvio™ 339 Underwater Loudspeaker is the world's only full-frequency, full-fidelity underwater loudspeaker. Backyard pool enthusiasts, lap swimmers and competitive swimmers agree the Diluvio™ 339 turns any pool experience into something truly spectacular. The Diluvio™ 339 brings water to life, allowing music and sound to be heard through the body below the water's surface.

The Diluvio™ 339 can be used in two different ways. For a permanent installation, the Diluvio™ 339 can be mounted inside a large light niche with a face ring kit (sold separately). For users who require underwater sound in multiple locations, such as synchronized swim teams, a tether can be attached to the Diluvio™ 339 so it can be used as a drop-in speaker.

The Diluvio™ 339 Underwater Loudspeaker requires an amplifier for operation. Clark Synthesis recommends an amplifier stable at 4 ohms that can deliver 125-150 watts @ 4 ohms (per speaker).



**The Diluvio™ 339 pictured in a third-party niche and face ring kit. Niche and face ring kit sold separately.*

Specifications: • Continuous Power Handling: 135 watts • Impedance: 4 ohms • Overload Protection: Polyswitch • Frequency Response: 20Hz to 17kHz • Electrical Connection: 100ft. - Underwater, 16-2 Wire • Dimensions: 8" (20.3cm) Dia. x 4.5" (11.5cm) Deep • Recommended Amplification: 125 - 150 W at 4Ohms

Storage Temperature: -148°F (-100°C) to 212°F (100°C)

Operating Temperature: -4°F (-20°C) to 113°F (45°C) If driven at half pressure, the transducer can operate up to 140°F (60°C)