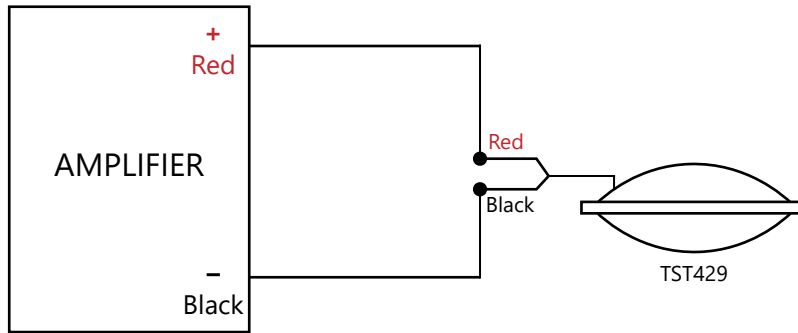


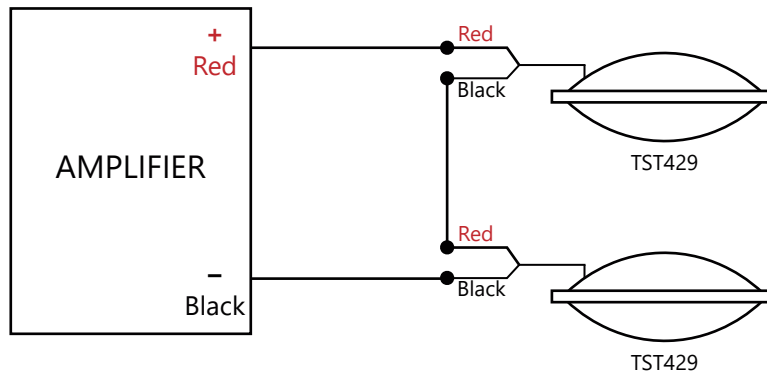
## WIRING THE TST429

1 TST429



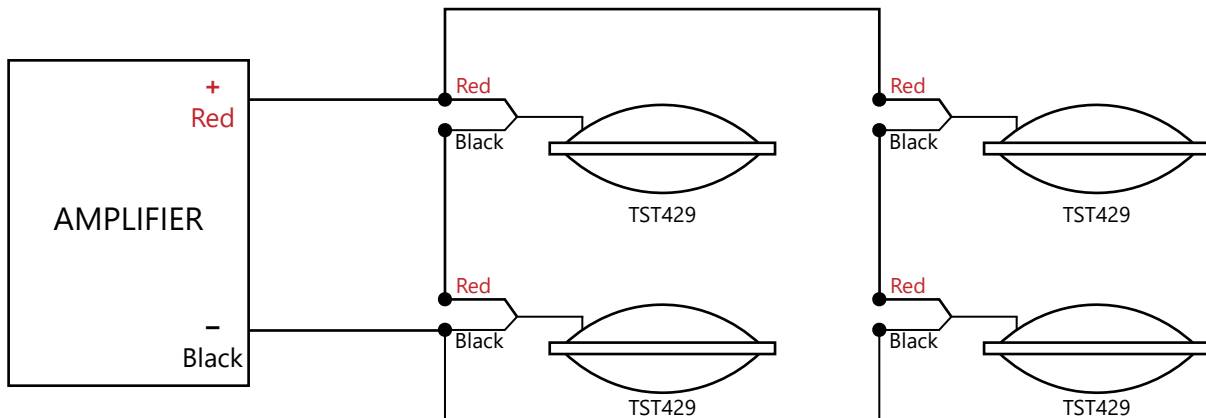
Clark Synthesis recommends an amplifier rated 125-150 Watts per channel at 4 ohms

2 TST429's



Clark Synthesis recommends an amplifier rated 125-150 Watts at 8 ohms

4 TST429's



Clark Synthesis recommends an amplifier rated 500-600 Watts per channel at 4 ohms

Note: Older products may have different color wires.  
Please contact Clark Synthesis for more information  
at 303-797-7500 or [info@clarksynthesis.com](mailto:info@clarksynthesis.com)

Scan to watch  
the video

