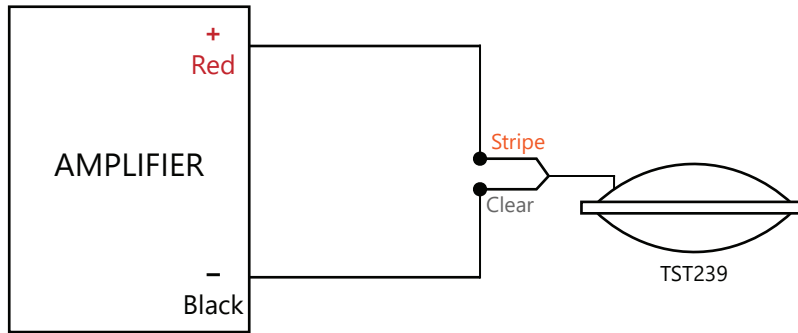


CLARKSYNTHESIS

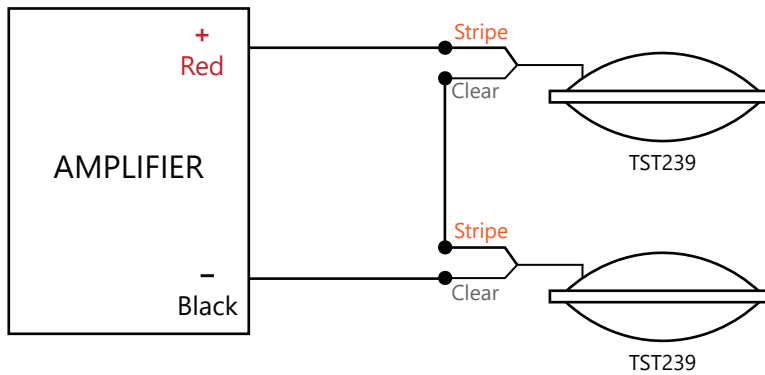
WIRING THE TST239

1 TST239



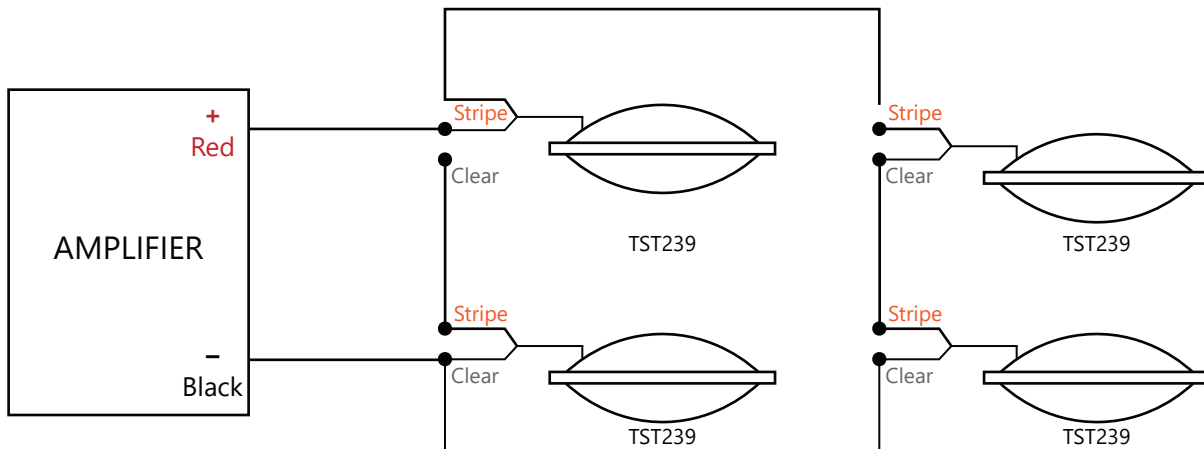
Clark Synthesis recommends an amplifier rated 75-100 Watts per channel at 4 ohms

2 TST239's



Clark Synthesis recommends an amplifier rated 75-100 Watts at 8 ohms

4 TST239's



Clark Synthesis recommends an amplifier rated 300-400 Watts per channel at 4 ohms

Note: Older products may have different color wires.
Please contact Clark Synthesis for more information
at 303-797-7500 or info@clarksynthesis.com

Scan to watch
the video

