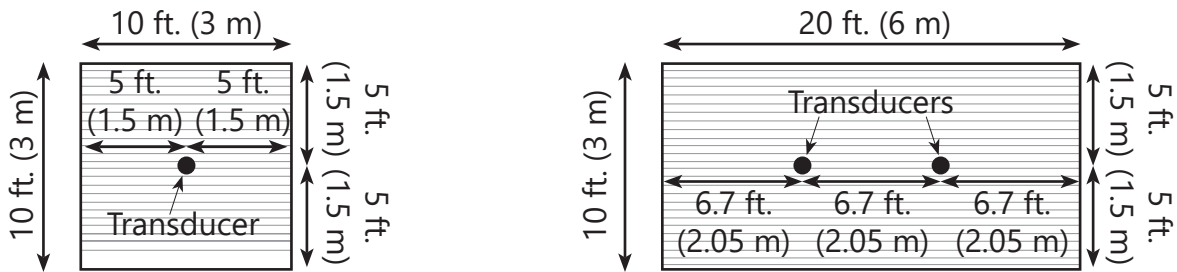


TRANSDUCER INSTALLATION: WOOD DECKS

1. Measure the overall dimensions of the deck. For best results, it is recommended that one AW339 be installed for every 10 ft. by 10 ft. (3m by 3m) section of deck. For example, if you have a deck that is 10 ft. by 20 ft. (3m by 6m), you would need to install two AW339 transducers on that deck.

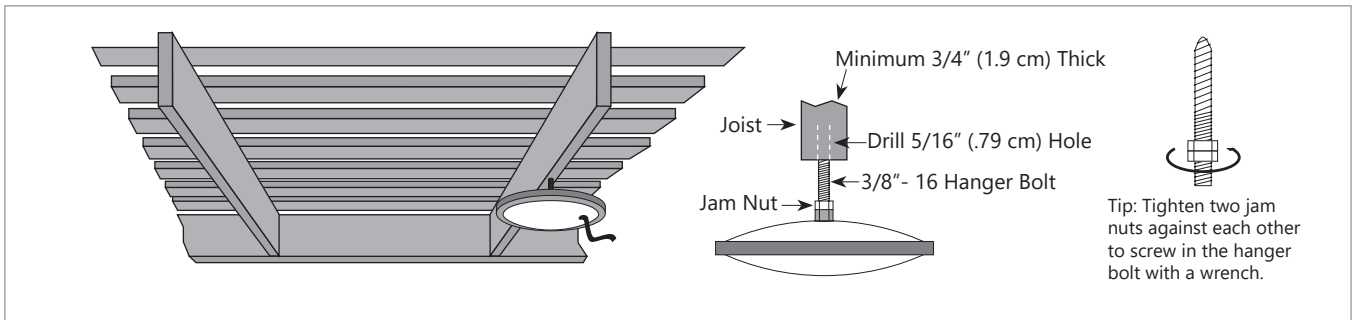
The Transducer should be mounted in a location that is equally spaced from the sides of the deck and other Transducers. As general examples, the diagrams below provide top views of 10 ft. by 10 ft. (3 m by 3 m) and 10 ft. by 20 ft. (3 m by 6 m) deck surfaces with the transducers mounted equal distances from each other and from the edges of the deck.

If the deck is a custom shape, approximate the placement of the Transducers using the general recommendation of one Transducer for every 100 ft.² (9 m²).

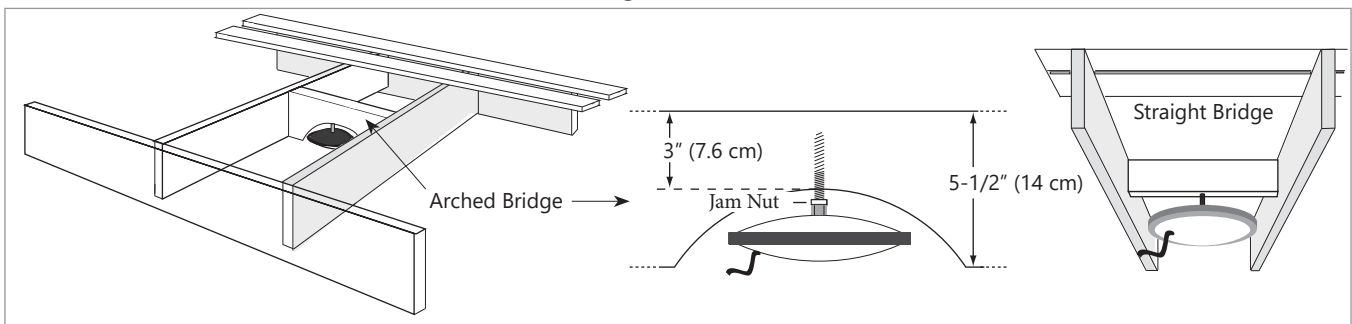


2. When determining the actual mounting location(s), it is important to decide which type of mounting style you want to use. There are two commonly used mounting styles: the joist mount or the bridge mount. See the diagrams of each style below.

Joist Mount



Bridge Mount



3. If you are using the joist mount, determine the general mounting location and then find the closest joist support for that location. Drill a 5/16" (.79 cm) pilot hole that is approximately 2 inches (5 cm) deep into the joist. Place two jam nuts on the hanger bolt and tighten the nuts together. Turn the hanger bolt into the joist up to the place on the bolt where the threads change from wood threads to machine threads. Loosen and remove one of the jam nuts.

Lifting the Transducer up to the hanger bolt, place the Transducer's brass mounting nut onto the machine thread side of the hanger bolt. Gently turn the Transducer 5 to 6 complete revolutions. If you feel resistance, stop immediately. Use care to not cross-thread the hanger bolt into the brass nut.

CAUTION: DO NOT OVERTIGHTEN.

Spin the jam nut that is still on the hanger bolt down to the brass nut and, using two wrenches (one on the jam nut and one on the brass nut), tighten the jam nut against the brass nut.

CAUTION: DO NOT TIGHTEN THE JAM NUT TO THE BRASS NUT BY TURNING THE TRANSDUCER. THIS WILL RESULT IN SEVERE DAMAGE TO THE TRANSDUCER AND WILL VOID THE WARRANTY.

4. If you are using the bridge mount, determine which type of bridge you want to use (straight or arched). If you are using the arched bridge style, cut the arch using the dimensions shown on the previous page.

Cut the length of the bridge board to fit snugly between the two support joists. The bridge board must be at least 3/4" (1.9 cm) thick. Screw the bridge board securely between the support joists. Follow the directions for installing the hanger bolt and the Transducer under Step 3, above.

5. Once the Transducer is mounted to the hanger bolt, run exterior grade speaker wire from your audio equipment (receiver and/or amplifier) to the wire lead on the Transducer. Connect the wires, insuring the splice is as waterproof as possible. Your AW339 All-Weather Transducer is now ready to enjoy.